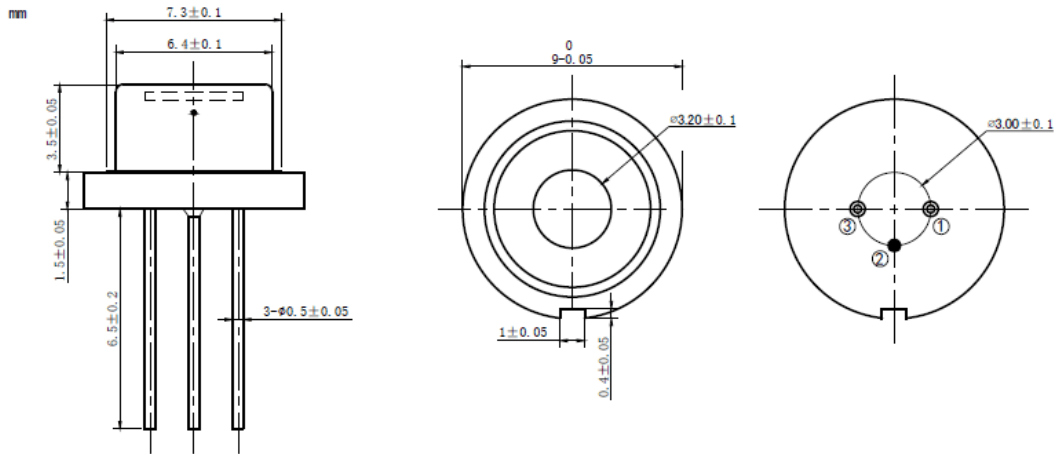


**850nm~860nm 3W Laser Diodes | TO5 9mm Package| Square Beam Optional | PD Optional**  
**860nm~870nm 3W High Power LD with FAC Optional | Linear Beam Optional**  
 WSLD-860-003-2      Wavespectrum laser Group.      www.wavespectrum-laser.com

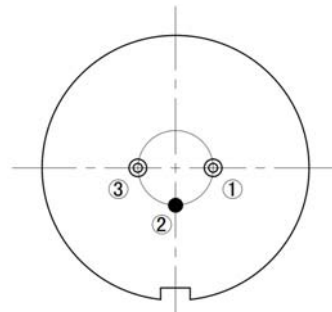
860nm Laser Diode		3W/TO5		Wavespectrum Laser Group	
Reverse Voltage	$V_r$	2.0		V	
Operating Temperature	$T_{op}$	0~+40		°C	
Storage Temperature	$T_{stg}$	-40~+85		°C	
Lead soldering temperature (10 sec.)	$T_{is}$	260		°C	
<b>Features:</b> <ul style="list-style-type: none"> <li>● 860nm</li> <li>● 3W Output Power</li> <li>● TO5 Package</li> <li>● Square Beam Optional</li> <li>● Photodiode Optional</li> </ul>					
<b>Applications:</b> <ul style="list-style-type: none"> <li>● Medical Laser Treatment</li> <li>● Laser Indicator</li> <li>● Others</li> </ul>					
<b>Specifications</b>		<b>WSLD-860-003-2</b>			
		Min	Type	Max	
Center Wavelength@25°C		±5nm	860nm	±15nm	
Spectral Width (FWHM)		----	2.5nm	----	
Output Power		----	3W	----	
Recommended Operating Temperature		25°C			
Beam Divergence (FWHM)		----	35° <sub>⊥</sub> x 8° <sub>//</sub>	----	
Temperature Coefficient of Wavelength		----	0.3nm / °C	----	
Slope Efficiency		----	1.2W/A	----	
Threshold Current (Typ.)		----	0.4A	----	
Operating Current (Typ.)		----	3.0A	----	
Operating Voltage		----	2.1V	----	
Package Style		TO5			
FAC Lens		Optional			



### T05 Package View



### PIN Bottom View:



1	LD(+)
2	GND
3	LD(-)

Electrically shorten LD module and store in non-extreme conditions.  
 Suggest using the constant current power supply.

